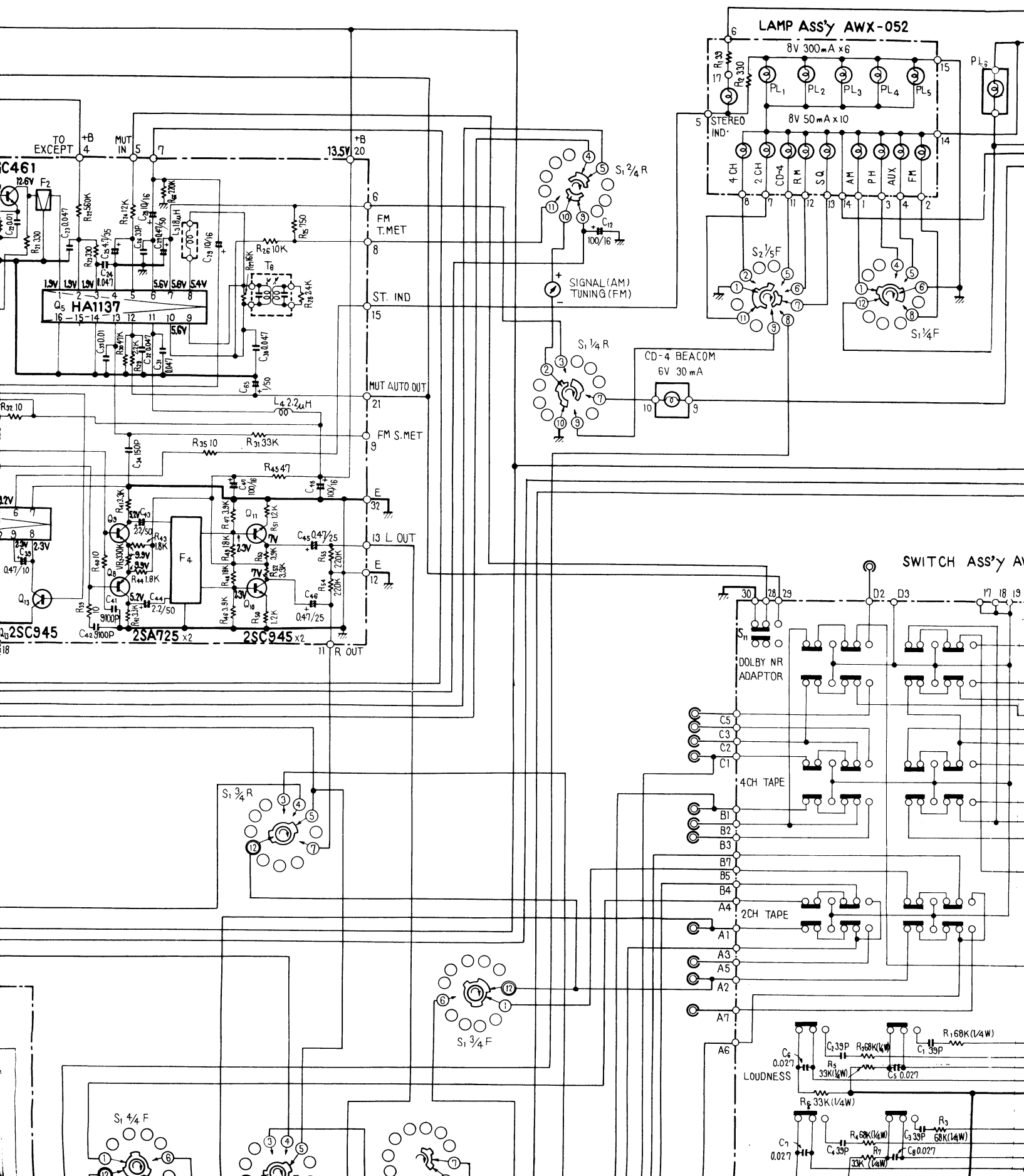


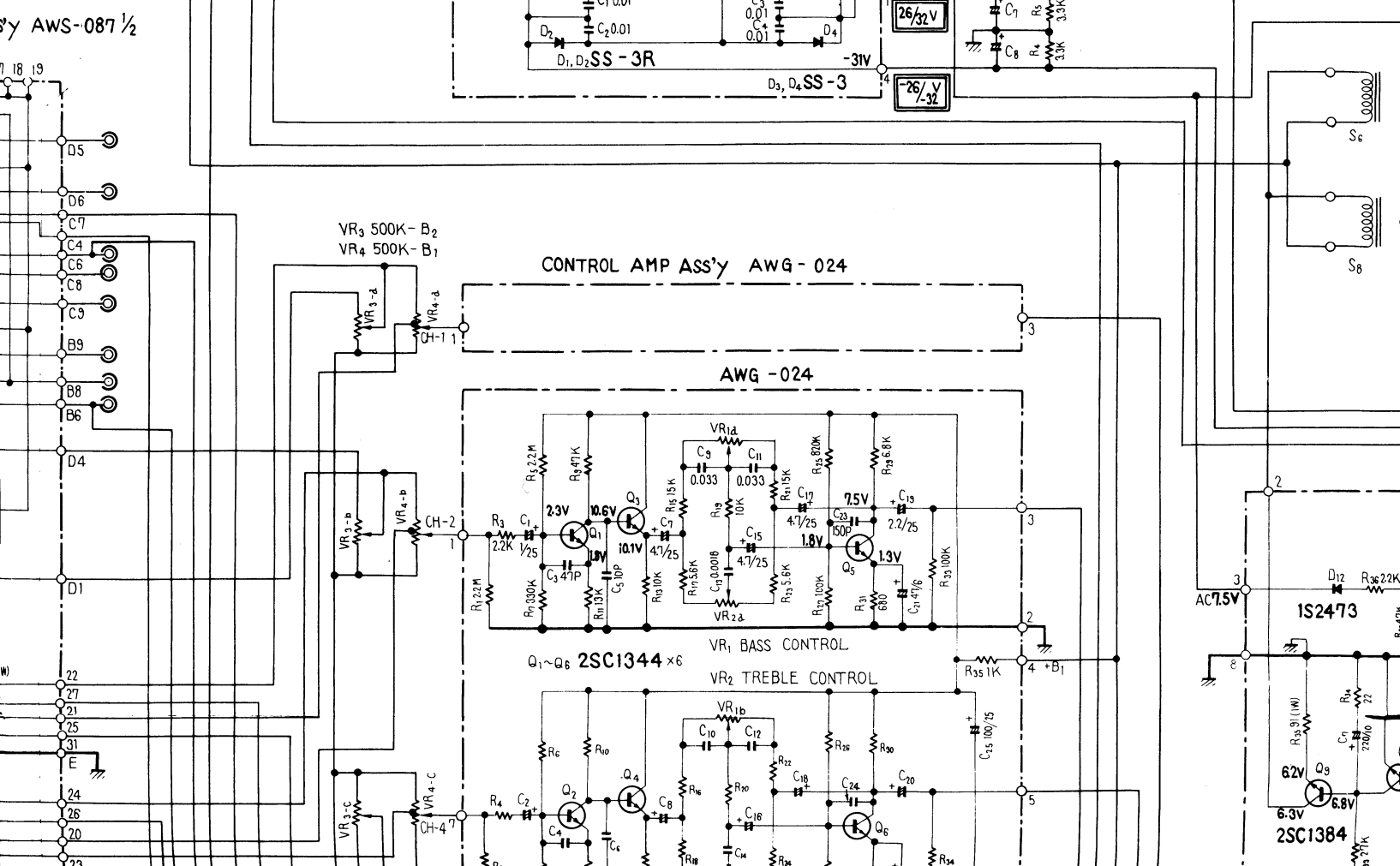
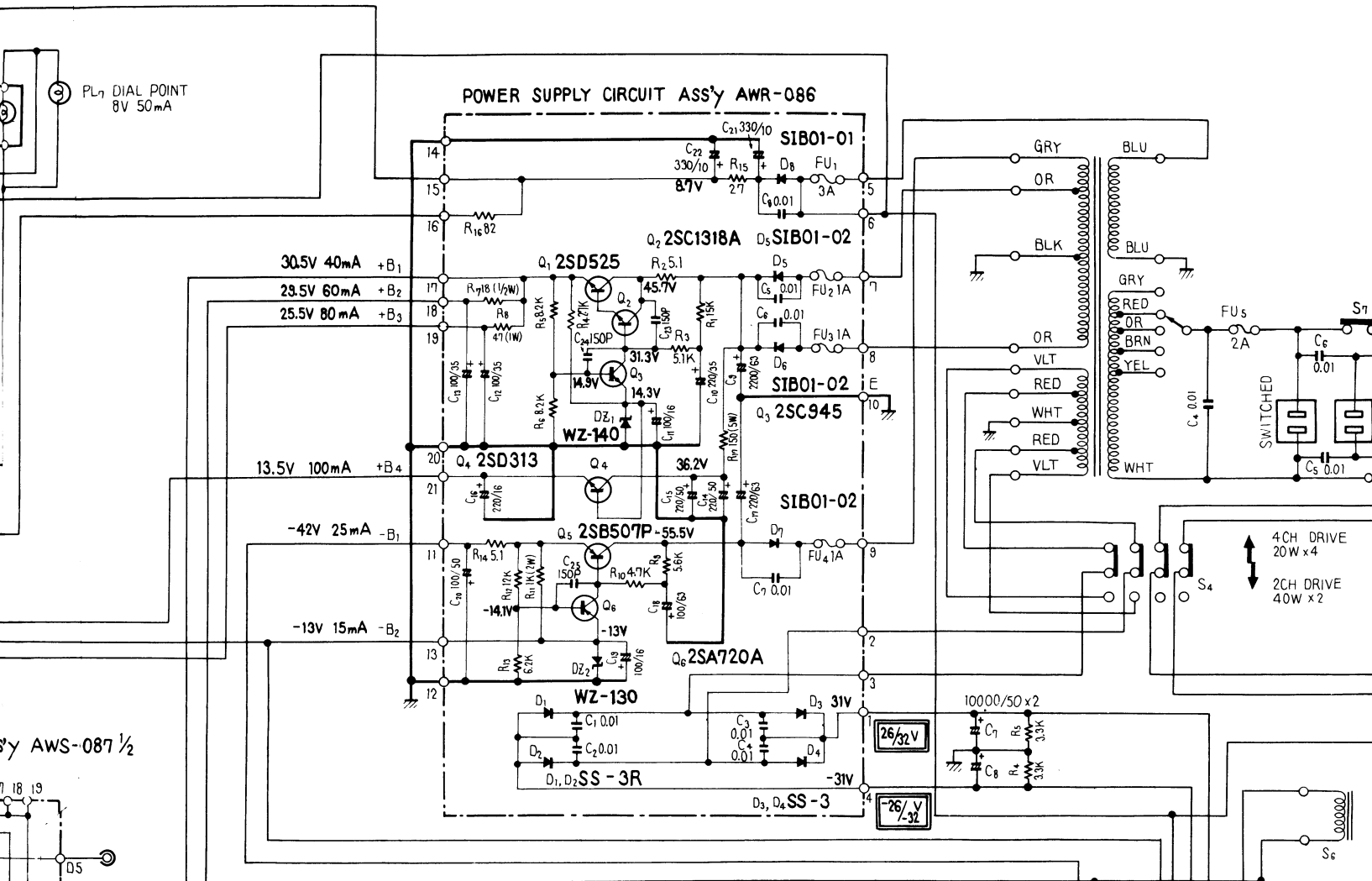
- 2CH P.B [140mV/175mV] A5
- 2CH REC [140mV/175mV] A1
- FRONT L CH
- 4CH REC [140mV/175mV] B1
- 4CH P.B [140mV/175mV] B3
- 4CH NR ADP OUT [140mV/175mV] B2
- 4CH NR ADP IN [140mV/175mV] D2
- REAR L CH
- 4CH REC [140mV/175mV] B6
- 4CH P.B [140mV/175mV] B9
- 4CH NR ADP OUT [140mV/175mV] B8
- 4CH NR ADP IN [140mV/175mV] D5

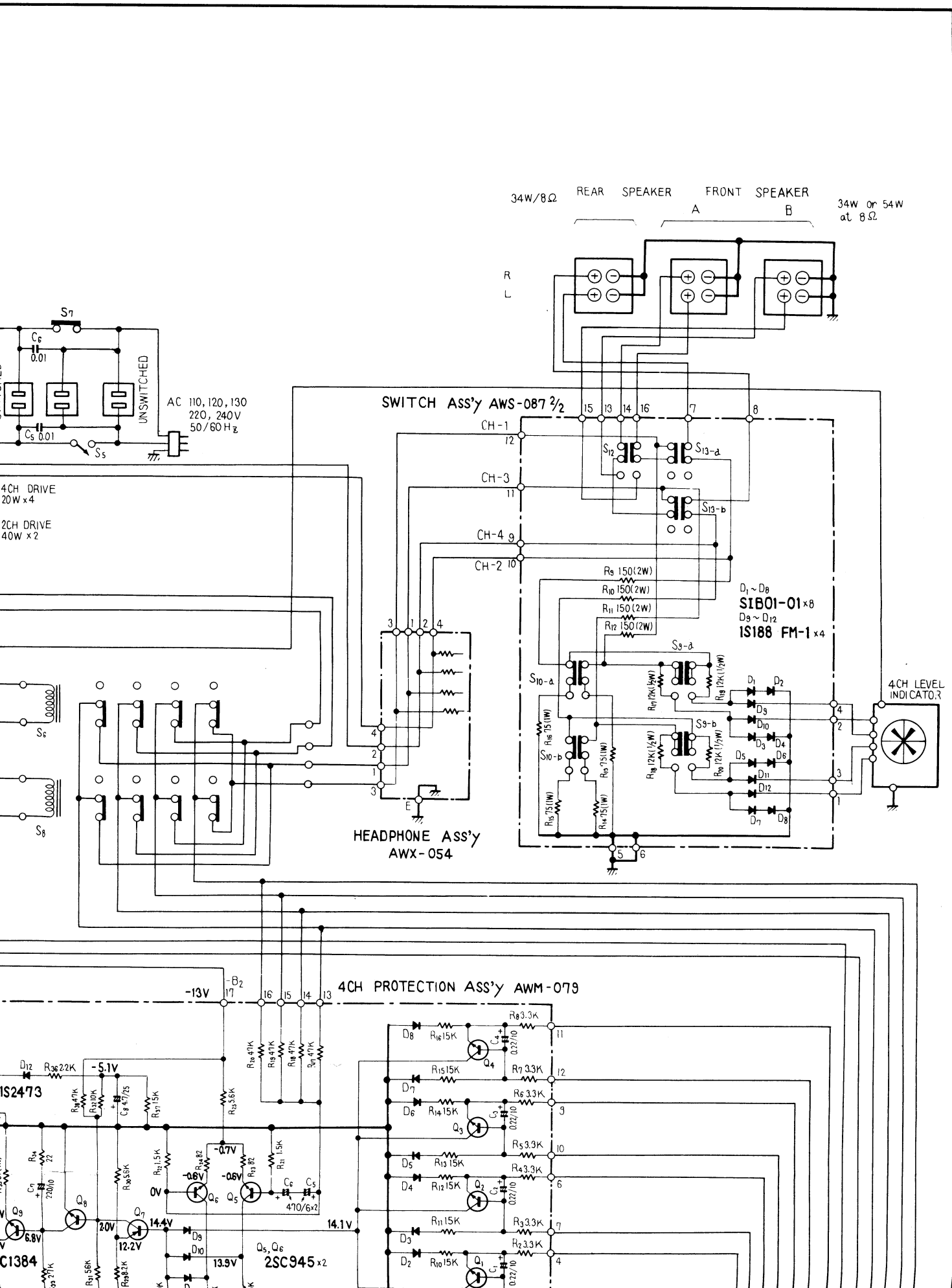
- 2CH PB A7
- 2CH REC A2
- 4CH REC C1
- 4CH P.B C3
- 4CH NR ADP OUT C2
- 4CH NR ADP IN C5
- 4CH REC C6
- 4CH P.B C3
- 4CH NR ADP OUT C8
- 4CH NR ADP IN D6

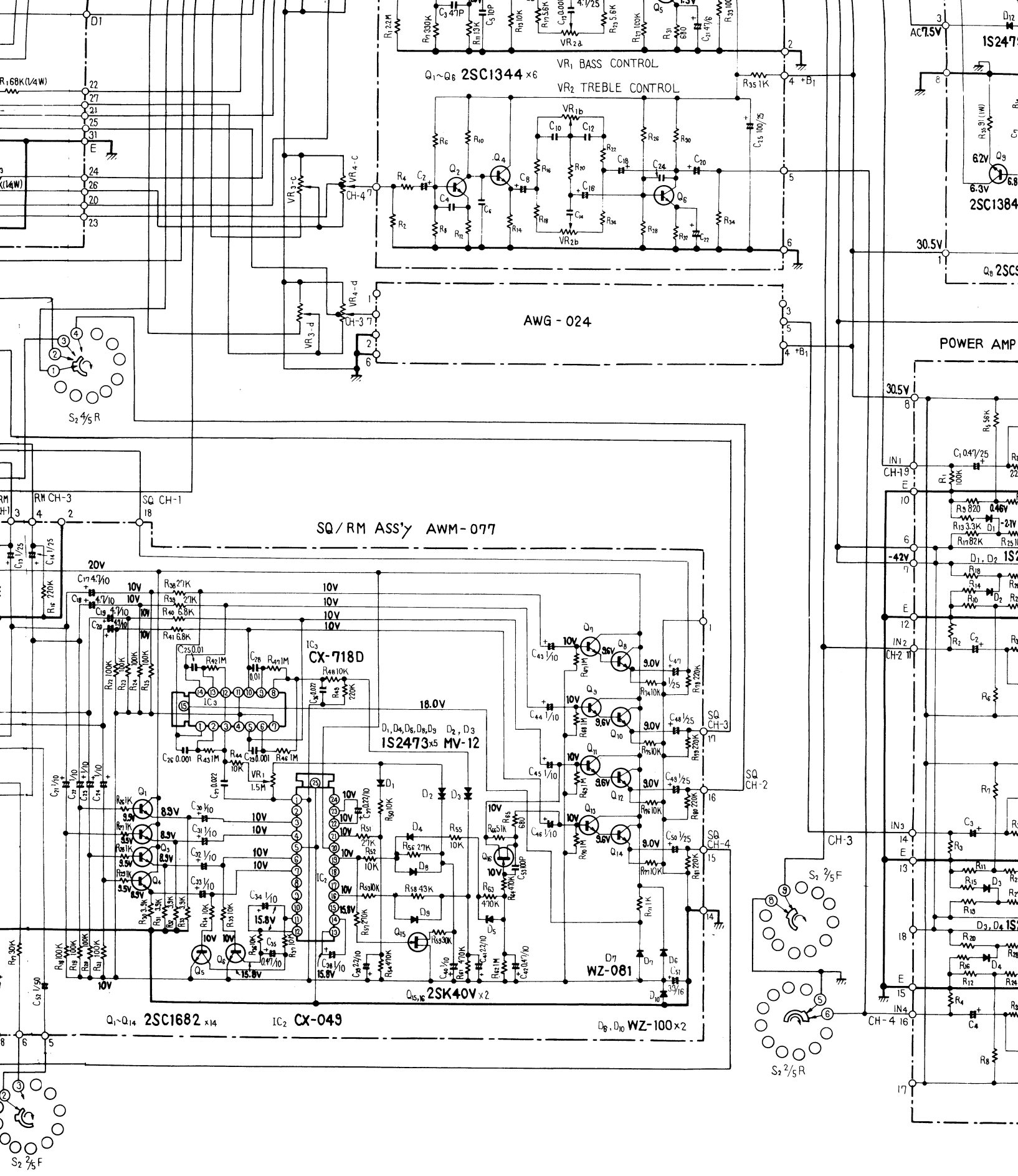
- AUX [140/175mV]
- PHONO [2.4/2.3mV]

FM 4CH MPX-OUT

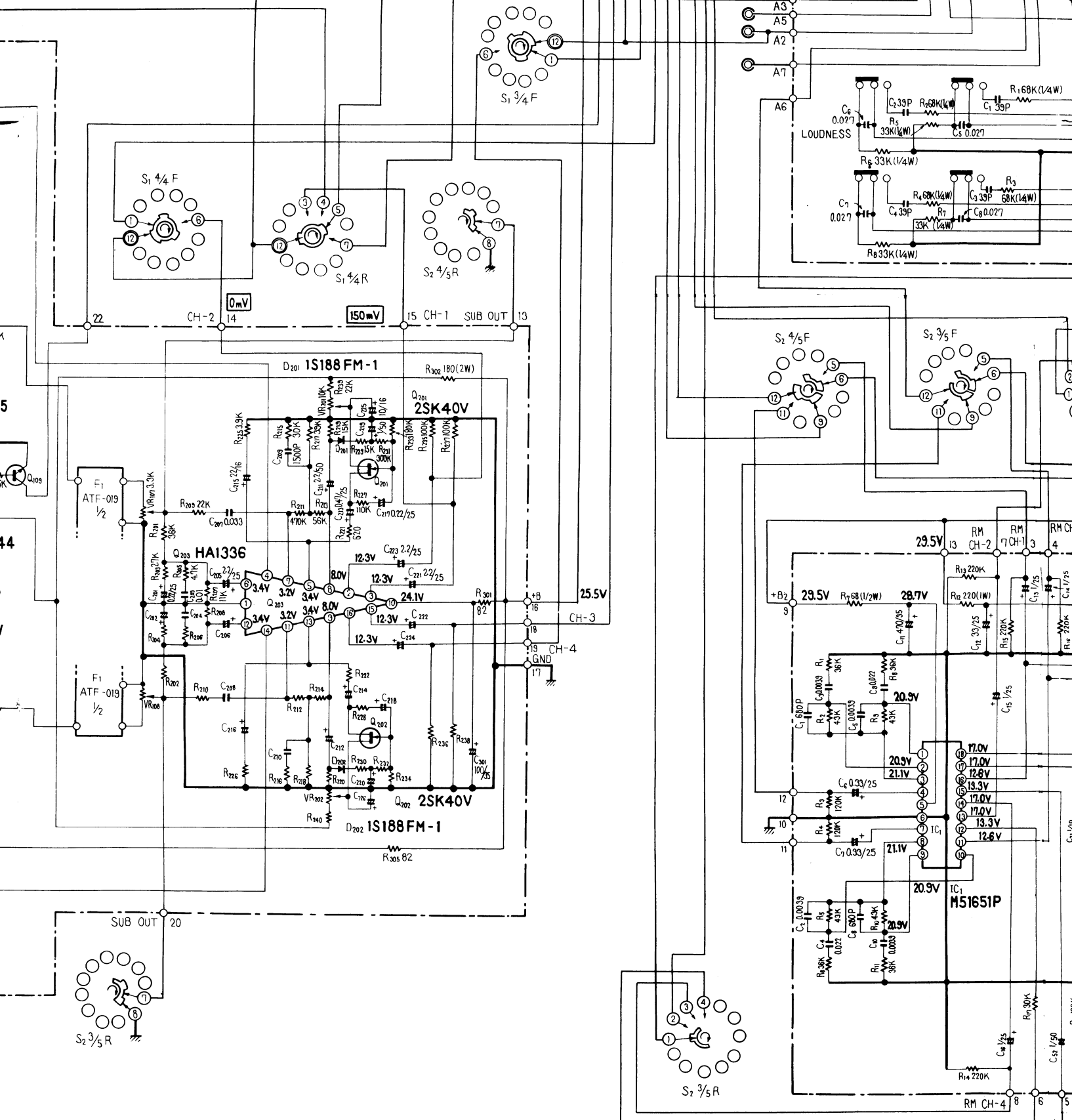








ED.
 T FOLLOWING : 4CH/2CH



ATING SWITCH
2CH

CH
N

H

- S₉ : INDICATOR LEVEL -20 dB
ON → OFF
- S₁₀ : INDICATOR LEVEL -10 dB
ON → OFF
- S₁₁ : MUTING SWITCH
OFF → ON
- S₁₂ : SPEAKER FRONT
A → B

- S₁₃ : SPEAKER ALL
ON → OFF
- VR_{1,2} : CD-4
CHANNEL SEPARATION
- VR₃ : BALANCE VOLUME
- VR₄ : MAIN VOLUME

RESISTORS
IN OHM, 1/4W, ±5% TOLERANCE
UNLESS OTHERWISE NOTED.

CAPACITORS
IN μF UNLESS OTHERWISE NOTED.
P : pF

/ DC VOLTAGE IS SHOWN AT FOLLO

AUX
140/175mV

PHONO
2.4/2.3mV

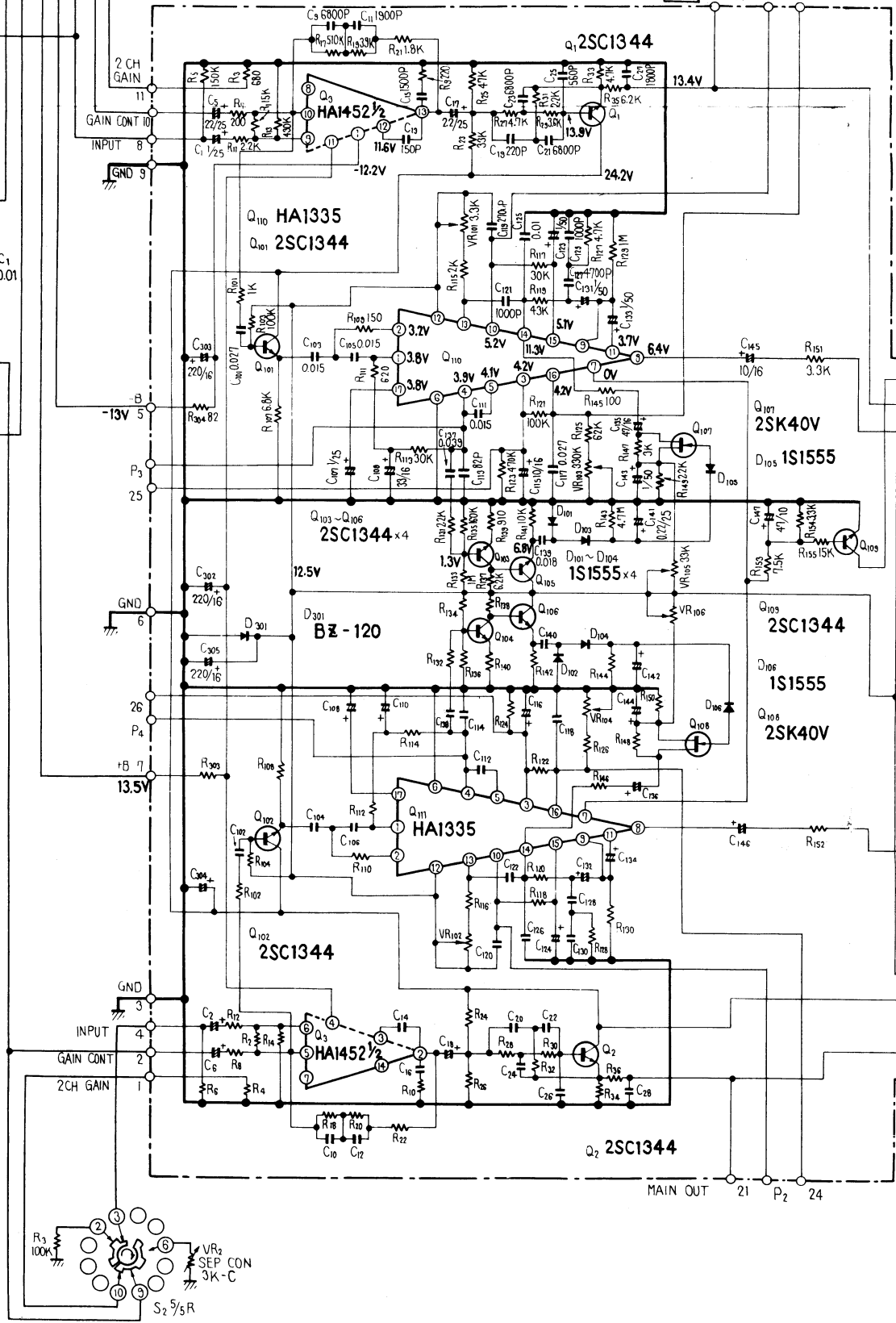
FM 4CH
MPX-OUT

PHONO

AUX

CD-4 ASS'Y AWM-076

75mW MAIN OUT P1 23



NOTES

- S₁ : FUNCTION SWITCH
- 1. AM 2.FM-MONO 3.FM-AUTO
- 4. PHONO 5. AUX

- S₄ : POWER BOOSTING SWITCH
- 4CH → 2CH

- S₂ : MODE SWITCH
- 1. 2CH 2.4CH-CD-4 3. RM
- 4. SQ FULL LOGIC

- S₅ : POWER SWITCH
- OFF → ON

S_{6,8} : RELAY

S₃ : BACANT

S₇ : MICRO SWITCH